

CV44W-Flanged Swing Check Valve -Class 150/300



GENERAL CHARACTERISTICS

- Full bore
- Design:ASME B16.34
- Test:API 598
- Face to face:ASME B16.10
- End Flange RF:ASME B16.5
- Recommended installation direction:Level

WORKING CONDITIONS

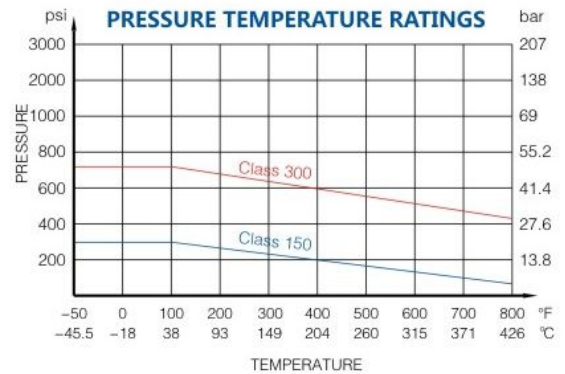
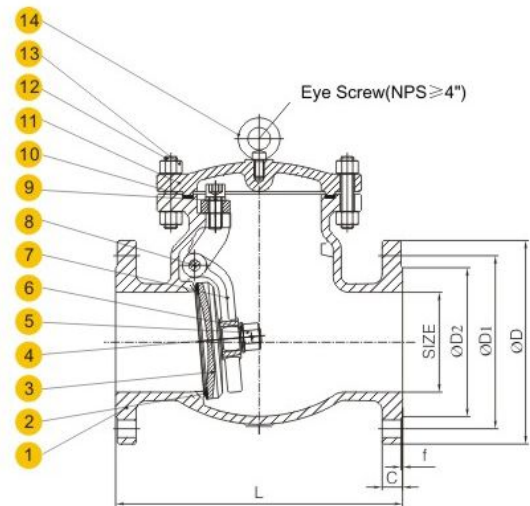
- Working Pressure:Class 150/300
- Temperature Range:–20° to 797°F
- Applicable medium:Water,Oil,Gas



MATERIALS LIST

No.	DESCRIPTION	Q'TY	MATERIAL
14	EYE SCREW	1	Steel
13	NUT	–	A194 8M
12	STUD	–	A193 B8M
11	BONNET	1	A351 CF8M
10	GASKET	1	SS316+Graphite
9	BOLT	1	A193 B8M
8	HINGE PIN	1	SS316
7	HINGE	1	A351 CF8M
6	GASKET	1	SS316
5	NUT	1	A194 8M
4	PIN	1	SS316
3	DISC	1	A351 CF8M
2	SEAT RING	1	A351 CF8M
1	BODY	1	A351 CF8M
No.	DESCRIPTION	Q'TY	MATERIAL

Note:Please contact us for other material requirements.



DIMENSIONS- Class 150

SIZE	L	D	D1	D2	C	f	n-Øb	Weight(lb)
1½"	6.5	5	3.88	2.87	0.69	0.06	4-Ø0.63	16.54
2"	7.99	5.98	4.74	3.62	0.75	0.06	4-Ø0.75	28.66
2½"	8.5	7.01	5.49	4.11	0.89	0.06	4-Ø0.75	46.3
3"	9.49	7.48	6	5	0.95	0.06	4-Ø0.75	54.01
4"	11.5	9.02	7.5	6.18	0.95	0.06	8-Ø0.75	77.16
5"	12.99	10	8.5	7.3	1.02	0.06	8-Ø0.87	95.9
6"	14.02	10.98	9.51	8.5	1.02	0.06	8-Ø0.87	141.1
8"	19.49	13.5	11.75	10.63	1.14	0.06	8-Ø0.87	249.12
10"	24.49	15.98	14.25	12.76	1.22	0.06	12-Ø0.99	507.06
12"	27.48	19.02	17.01	15.1	1.26	0.06	12-Ø0.99	683.43
14"	30.98	20.98	18.74	16.26	1.38	0.06	12-Ø1.14	–
16"	34.02	23.5	21.26	18.5	1.46	0.06	16-Ø1.14	–
18"	38.5	25	22.76	20.98	1.58	0.06	16-Ø1.26	–
20"	38.5	27.48	25	22.99	1.69	0.06	20-Ø1.26	–
24"	50.98	32.01	29.49	27.24	1.89	0.06	20-Ø1.38	–

DIMENSIONS- Class 300

SIZE	L	D	D1	D2	C	f	n-Øb	Weight(lb)
1½"	9.49	6.14	4.5	2.87	0.83	0.06	4-Ø0.87	23.37
2"	10.51	6.5	5	3.62	0.91	0.06	8-Ø0.75	48.5
2½"	11.5	7.48	5.88	4.11	1.02	0.06	8-Ø0.87	81.57
3"	12.52	8.27	6.62	5	1.14	0.06	8-Ø0.87	99.21
4"	14.02	10	7.88	6.18	1.26	0.06	8-Ø0.87	136.69
5"	15.75	10.98	9.25	7.3	1.38	0.06	8-Ø0.87	152.12
6"	17.48	12.52	10.63	8.5	1.46	0.06	12-Ø0.87	337.31
8"	20.98	15	12.99	10.63	1.65	0.06	12-Ø0.99	478.4
10"	24.49	17.52	15.26	12.76	1.89	0.06	16-Ø1.14	544.54
12"	27.99	20.51	17.76	15	2.01	0.06	16-Ø1.26	760.6
14"	32.99	22.99	20.26	16.26	2.13	0.06	20-Ø1.26	–
16"	34.02	25.51	22.5	18.5	2.28	0.06	20-Ø1.38	–
18"	28.5	27.99	24.75	21	2.4	0.06	24-Ø1.38	–
20"	40	30.51	27	22.99	2.52	0.06	24-Ø1.38	–
24"	52.99	36	32	27.24	2.76	0.06	24-Ø1.6	–